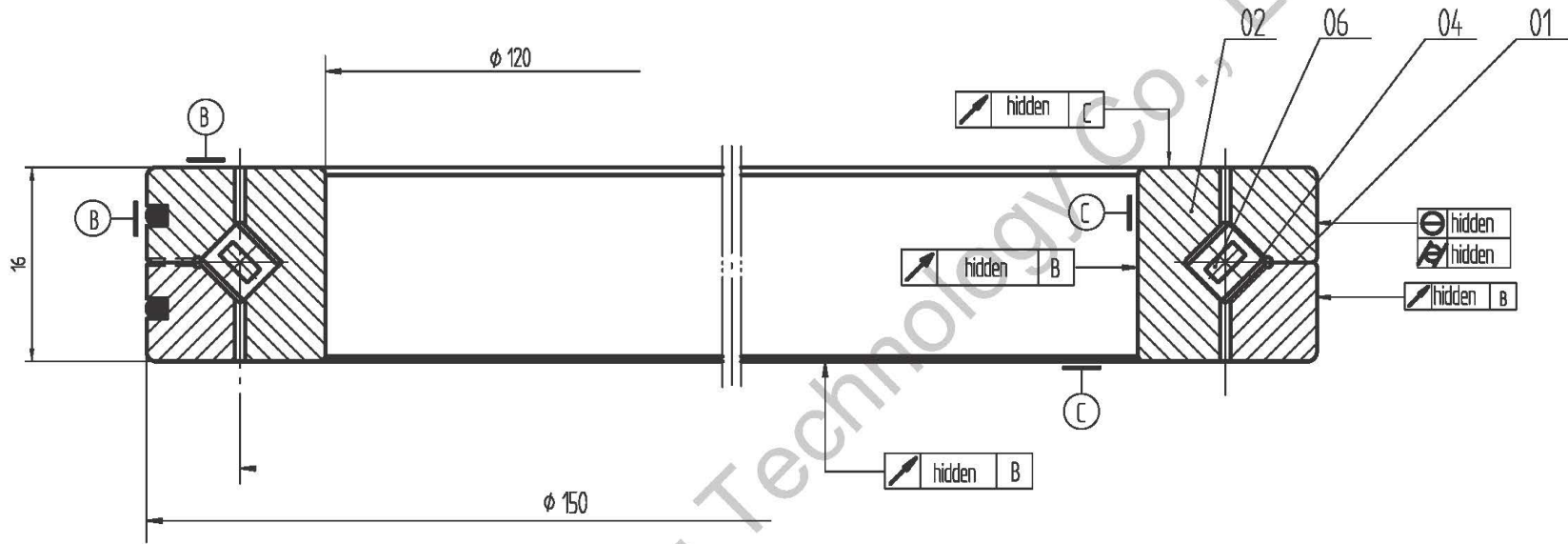


Luoyang JCB Bearing Technology Company Limited has full copyright for this drawing, we reserve the right to investigate and ascertain any misappropriation immorally



Remark:

1. Luoyang JCB Bearing Technology Co., Ltd is a technical Inc, specialize in designing and manufacturing crossed roller bearing, we can design and manufacture all kinds of crossed roller bearing according to client's requirement, dimension range cover from 20mm to 6500mm, precision grade is from P0 to P4.
2. This drawing is only a reference, if you need formal drawing please contact with us sales@jcb-bearing.com, the official drawing will be submitted according to your request.

Contact information

Company Address : No. 285, Fenghua road, Luoyang, Henan, China Postal code : 471000
 Phone : 86-379-68611678 Fax : 86-379-68611679
 E-mail: sales@jcb-bearing.com Reserved E-mail: jcb-bearing@hotmail.com
 Website: www.jcb-bearing.com
 www.crossed-roller-bearings.com



roller crossed arrangement

04	Roller		steel	GCr15-GB/T18254			
02	Inner ring		steel	GCr15-GB/T18254			
01	Separated outer ring		steel	GCr15-GB/T18254			
Part No.	Name	qty	Material	Weight (kg)			
					SX 01 1824		
					Weight(kg)		
					0.8		
					Total 4 page		First page
CROSSED ROLLER BEARING							
Luoyang JCB Bearing Technology Co, Ltd							